



## Applications

### AM-18ELF

The AM Series features an 18 inch (460mm) diameter loudspeaker designed for extended deep bass and sub woofer applications. The design parameters of the AM-18ELF produce a transducer with a rated bandwidth of 30Hz to 100Hz. Extended voice coil winding length, lower free air resonance and a suspension system capable of increased displacement produce a loudspeaker capable of clean and tight response down to 30Hz.

The AM-18ELF utilizes a Ferrite based permanent magnetic design and a medium format 3 inch (76.2mm) voice coil to generate an efficiency bandwidth product that provides a perfect combination of low frequency extension and acoustic output. The AM-18ELF is ideal for sub bass effects and for any application where ultra low frequency response is specified.

The AM-18ELF offers all of the power handling and system reliability required for both portable ultra low frequency effects as well as for installed systems such as dance clubs. Deep sub bass response requires transducers designed for this specific application. The AM-18ELF has been optimized for very low frequency operation through the use of advanced computer based design and modeling software.

## Specifications

### GENERAL SPECIFICATIONS

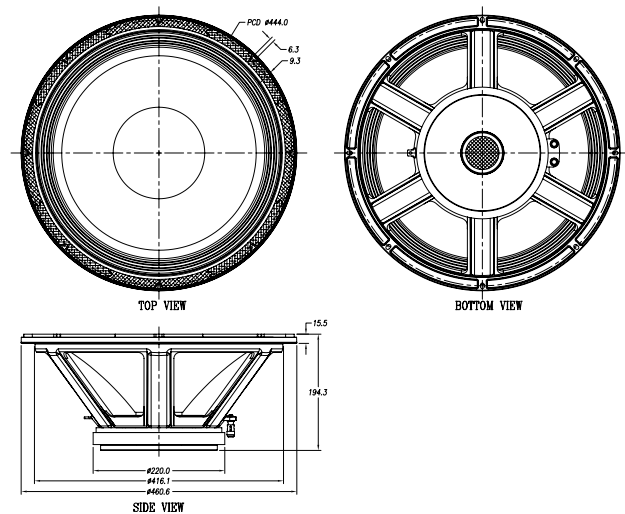
Nominal Impedance	8 Ω
Power	600 Watt (rms)
SPL 1W@1M average sensitivity	97 dB
Frequency Response	30Hz - 100Hz
Dimension Ø x H (cm)	46.1 x 19.4
Net Weight	9 kg (19.8 lbs)
Shipping Weight	11 kg (24.2 lbs)
Packing Dimension H x W x D (cm)	49.5 x 49.5 x 24.5 (2.1cu.ft)
	19.5" x 19.5" x 9.6"

### PHYSICAL SPECIFICATIONS

Magnet type	Ferrite
Voice Coil Diameter	76.2 mm (3 inch)

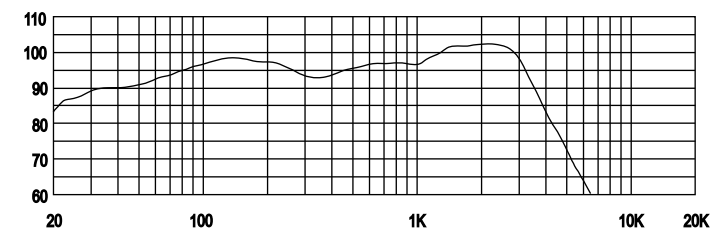
### THIELE/SMALL PARAMETERS

Resonance Frequency	Fs	26 Hz
DC. Resistance	Re	5.7 Ω
Coil Inductance	Le	0.40 mH
Mechanical Q Factor	Qms	6.48
Electrical Q Factor	Qes	0.57
Total Q Factor	Qts	0.52
BL Product	BL	15.10 Tm
Effective Moving Mass	Mms	144 g
Equivalent Cas Air-Load	Vas	530.45 Liters
Effective Piston Area	Sd	0.0550 Sqm
Half-Space Efficiency	Eff	1.43 %
Airgap Height	Hag	8.0 mm
Voice Coil Height	Hvc	20 mm
Voice Coil Overhang	Xmax	6 mm



dB SPL

### SPL vs FREQ



### Frequency Response

19/4 Moo 2 T.Bangkratuk A.Samparn Nakornpathom 73210 Thailand  
 Tel: +66-2-441-6600 Auto 30 Lines  
 e-mail: info@paudiothailand.com  
 Website: www.paudiothailand.com  
 All rights reserved by P.Audio System Co.,Ltd. 2007

