

Ferrite Magnet Steel Chassis Driver



Features

- 2" Voice Coil
- 600 Watts Peak Power Handling
- Ferrite Magnetics
- Precision Circular Wire Geometry
- Stamped Steel Chassis

Applications

The P Audio E10-150S is a high output full range/mid bass transducer. The E10-150S is an upgraded design that features many of P Audio's new technologies and performance upgrades. The 10 inch (254mm) diameter piston will produce extremely high sound pressure levels at very low frequencies and is ideal for high level deep bass and sub woofer response in both live sound and recorded music venues. The operating bandwidth of the E10-150S is 50Hz to 3000Hz. The transducer uses high energy ferrite based magnetics to achieve a very high acoustic output to weight ratio.

The E10-150S employs a medium format 2 inch (50.8mm) diameter voice-coil that provides an AES rated 150 watts of continuous power handling and a full 600 watts of peak rated power handling when sufficient amplifier headroom is available. The E10-150S utilizes P Audio's under damper venting technology to improve transducer air flow and reduce turbulence under the damper and around the voice coil.

The voice coil design is a bobbin wound geometry with P Audio's precision round wire technology to maximize system conversion efficiency.

The suspension has been designed specifically for high linear displacement and extended low frequency response.

The transducer chassis is a heavy gauge stamped steel design that insures a very high degree of structural integrity.

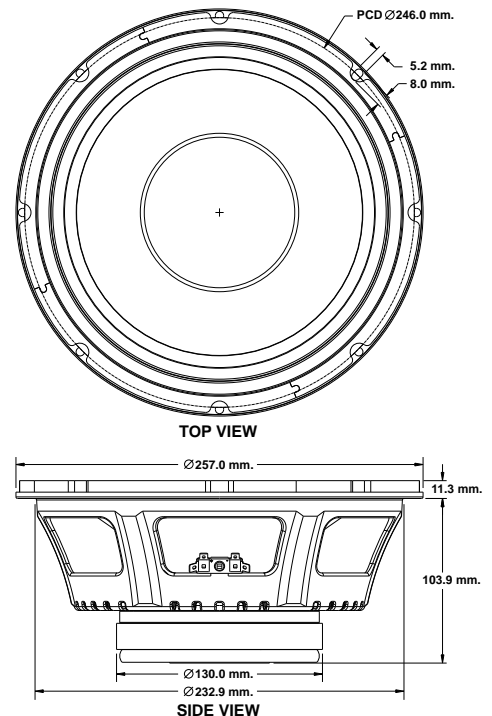
Specifications

General Specifications

Nominal diameter.....	254 mm/10 in
Power rating.....	150 W(AES)
Nominal impedance.....	8Ω
Sensitivity.....	95 dB
Frequency range.....	50-3000 Hz
Chassis type.....	Heavy Duty Stamp Steel
Magnet type.....	Ferrite
Magnet weight.....	0.88 kg/31.2 oz
Voice coil diameter.....	50.8 mm/2.0 in
Coil material.....	CCA-W
Former material.....	Kapton
Cone material.....	Paper
Surround material.....	Cloth
Suspension.....	Single
X-max.....	4.1 mm/0.16 in
Gap depth.....	8 mm/0.31 in
Voice coil winding width.....	16.2 mm/0.64 in
Net Weight.....	3.2 kg/7.1 lb
Packing Dimension WxDxH (mm).....	270mm x270mm x140mm
Shipping Weight.....	3.8 kg/8.4 lb

Small Signal Parameters

Re.....	5.9 Ω
Fs.....	53 Hz
Mms.....	20.4 g/0.72 oz
Mmd.....	16.37 g/0.58 oz
Qms.....	5.15
Qes.....	0.55
Qts.....	0.50
Vas.....	84.09 lt/2.97 ft ³
Bl.....	8.48 Tm
Cms.....	4.6e-04 m/N
Rms.....	1.30 Ns/m
Le (at 1kHz).....	0.606 mH



Frequency Response and Impedance Curves

