

**Ferrite Magnet Steel Chassis Driver**



**Specifications**

**General Specifications**

Nominal diameter.....	381 mm/15 in
Power rating.....	600 W(AES)
Nominal impedance.....	8Ω
Sensitivity.....	95 dB
Frequency range.....	40-2000 Hz
Chassis type.....	Heavy Duty Stamp Steel
Magnet type.....	Ferrite
Magnet weight.....	3.56 kg/125.7 oz
Voice coil diameter.....	101.6 mm/4.0 in
Coil material.....	SV-W
Former material.....	Glass Fiber
Cone material.....	Paper
Surround material.....	Cloth
Suspension.....	Single
X-max.....	6.5 mm/0.26 in
Gap depth.....	12 mm/0.47 in
Voice coil winding width.....	25 mm/0.98 in
Net Weight.....	12.1 kg/26.7 lb
Packing Dimension WxDxH (mm)	430mm x 430mm x 220mm
Shipping Weight.....	13.2 kg/29.1 lb

**Small Signal Parameters**

Re.....	5.6Ω
Fs.....	44 Hz
Mms.....	124.54 g/4.39 oz
Mmd.....	110.16 g/3.89 oz
Qms.....	8.51
Qes.....	0.49
Qts.....	0.46
Vas.....	110.48 lt/3.90 ft <sup>3</sup>
Bl.....	19.82 Tm
Cms.....	1.1e-04 m/N
Rms.....	4.02 Ns/m
Le (at 1kHz).....	1.13 mH

**Features**

- 4" Voice Coil
- 2400 Watts Peak Power Handling
- Ferrite Magnetics
- Precision Circular Wire Geometry
- Stamped Steel Chassis

**Applications**

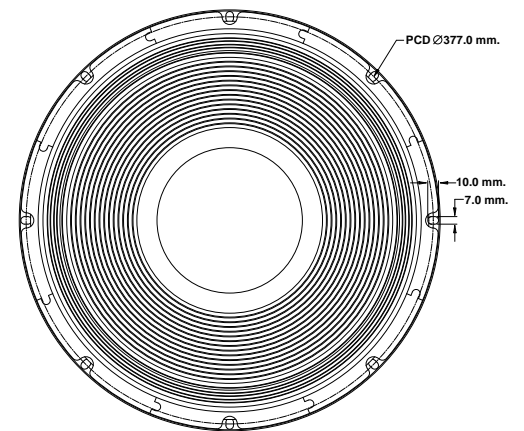
The P Audio E15-600S is a very high output low frequency transducer. The E15-600S is an upgraded design that features many of P Audio's new technologies and performance upgrades. The 15 inch (381mm) diameter piston will produce extremely high sound pressure levels at low frequencies and is ideal for high level full range response in both live sound and recorded music venues. The E15-600S is an excellent choice as a low frequency component in a professional two way system design. The operating bandwidth of the E15-600S is 40Hz to 2000Hz. The transducer uses high energy ferrite magnetics to achieve a very high acoustic output to weight ratio.

The E15-600S employs a large format 4 inch (101.6mm) diameter voice coil that provides an AES rated 600 watts of continuous power handling and a full 2400 watts of peak rated power handling when sufficient amplifier headroom is available. The large voice coil diameter and very high power handling make this transducer and excellent choice for ultra high performance professional sound reinforcement systems. The E15-600S utilizes P Audio's under damper venting technology to improve transducer air flow and reduce turbulence under the damper and around the voice coil.

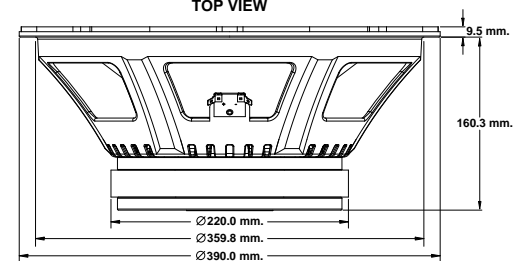
The voice coil design is a bobbin wound geometry with P Audio's precision round wire technology to maximize system conversion efficiency.

The suspension has been designed specifically for high linear displacement and extended low frequency response.

The transducer chassis is a heavy gauge stamped steel design that insures a very high degree of structural integrity.



TOP VIEW



SIDE VIEW

**Frequency Response and Impedance Curves**

