



EM SERIES

EM12-LB600

Low Frequency Ferrite Woofer



Features

- 3.5" Voice Coil
- 2400 Watts Peak Power Handling
- 95 dB Sensitivity
- Ferrite Magnetics
- Precision Round Wire Inside/Outside Coil Design
- Stamped Steel Chassis

Applications

The P Audio EM12-LB600 is a high performance 12 inch (305mm) diameter low frequency/full range transducer. The EM12-LB600 is an excellent choice for full range two way designs where high reliability and power handling as well as excellent transient detail are specified.

The EM12-LB600 features 2400 watt peak power handling (600 watts continuous) and extended bandwidth frequency response. The unique 3.5 inch voice coil diameter provides an excellent balance between high power handling and controlled moving mass. The result is a high efficiency design that offers high impact full range response and high reliability. The 3.5 inch coil design offers less moving mass than a conventional 4 inch design. The reduced moving mass offers superior transient response as well as extended high frequency response. The unique 3.5 inch coil diameter offers higher reliability and higher power handling than conventional 3 inch (76mm) designs.

The EM12-LB600 offers a 45Hz to 3500Hz useable bandwidth. The performance of the EM12-LB600 is optimized when using a high pass 4th order Butterworth filter tuned to near the enclosure vent frequency. Although the woofer is rated to 3500Hz, typical high frequency crossover points will be based on the compression driver and horn combination used for the high frequency section.

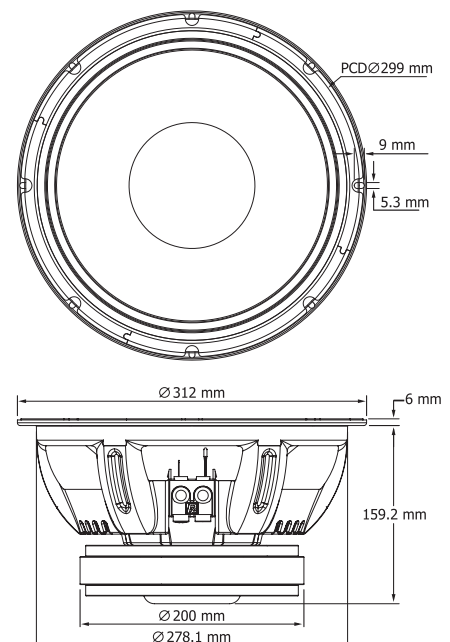
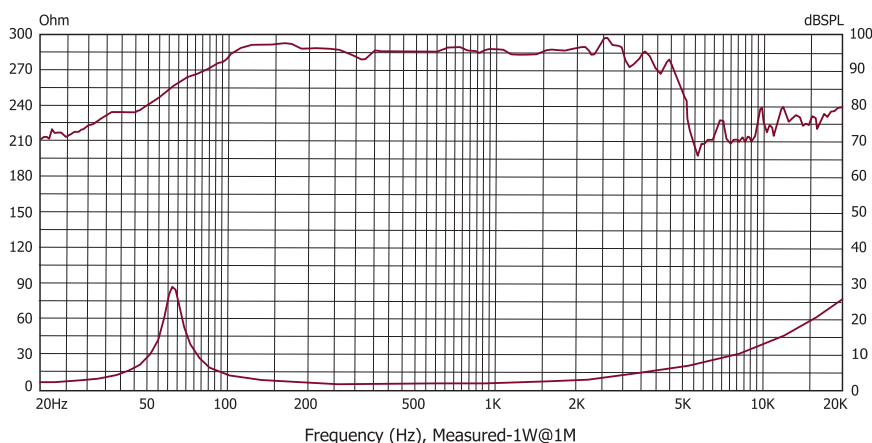
General Specification

Nominal diameter	305 mm / 12 in
Peak Power	2400 W
AES Power	600 W
Nominal impedance	8 Ohm
Sensitivity (1W/1m)	95 dB
Frequency range	45 - 3500 Hz
Chassis type	Heavy Duty Stamped Steel
Magnet type	Ferrite
Magnet weight	2.95 kg / 103.9 oz
Voice coil diameter	88.9 mm / 3.5 in
Coil material	Copper Clad Aluminium
Former material	Glass fiber
Cone material	Paper
Surround material	Cloth
Suspension	Single
Xmax	4 mm / 0.16 in
Gap depth	10 mm / 0.39 in
Voice coil winding width	18 mm / 0.71 in
Unit weight	9.2 kg / 20.3 lb
Shipping weight	10 kg / 22.1 lb
Packaging dimension	355x355x200 mm
WxDxH	14x14x7.9 in

Thiele Small Parameters

Fs	62 Hz
Re	5.6 Ohm
Qms	6.86
Qes	0.46
Qts	0.43
Bl	17.55 Tm
Mms	64.39 g / 2.27 oz
Mmd	57.35 g / 2.02 oz
Vas	39.79 lt / 1.4 cu.ft ³
Sd	531 cm ²
Le	0.61 mH
Cms	1.0e - 04 m/N
Rms	3.71 Ns/m

Frequency response and Impedance curve



P.AUDIO SYSTEM CO.,LTD.