



# FLAGSHIP™ Series FL-12LF



## Applications

### FL-12LF

The P Audio Flagship series offers a very high output and high reliability 12 inch diameter (315mm) loudspeaker. This design has been optimized for vocal clarity as well as full range response. The FL-12LF has been designed for use in two way systems and is also ideally suited for monitors as well. The new cone material features very high internal damping and produces very clean vocal fundamentals. The time domain response throughout the critical vocal range is excellent. The recommended frequency range for the FL-12LF is 60Hz to 2000Hz.

The FL-12LF also utilizes a large format 4 inch diameter (101.6mm) voice coil and edge wound rectangular wire for high efficiency and high reliability. This woofer is an ideal choice for 12 inch two way general purpose public address systems as well as for high output professional monitors. This voice coil design and the new Flagship Series suspension system have been optimized for a high linear excursion and wide bandwidth responses. The light weight but high output Neodymium and aluminum chassis also mean the FL-12LF is well suited for permanently installed suspended designs.

## Specifications

### GENERAL SPECIFICATIONS

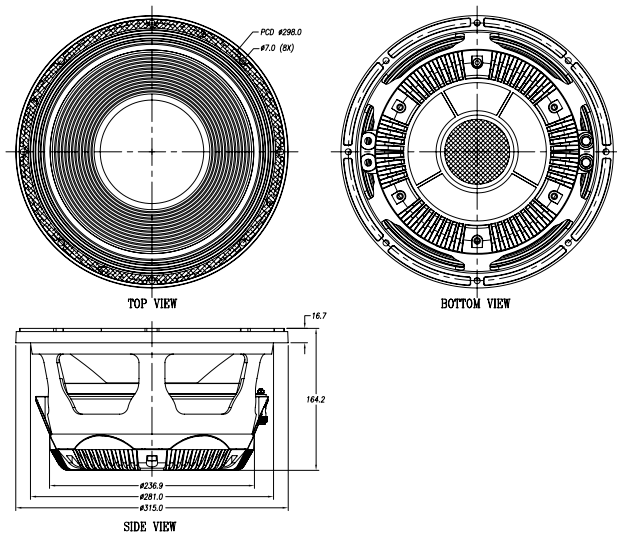
Nominal Impedance	8 Ω
Power	800 Watt (rms)
SPL 1W@1M average sensitivity	95 dB
Frequency Response	60Hz - 2000Hz
Dimension Ø x H (cm)	31.5 x 16.4
Net Weight	8.4 kg (18.5 lbs)
Shipping Weight	9.6 kg (21.1 lbs)
Packing Dimension H x W x D (cm)	34.5 x 34.5 x 21.0 (0.9cu.ft)
	13.6" x 13.6" x 8.3"

### PHYSICAL SPECIFICATIONS

Magnet type	Neodymium
Voice Coil Diameter	101.6 mm (4 inch)

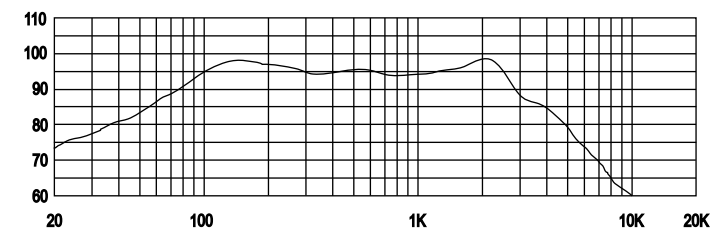
### THIELE/SMALL PARAMETERS

Resonance Frequency	Fs	55 Hz
DC. Resistance	Re	6.1 Ω
Coil Inductance	Le	0.767 mH
Mechanical Q Factor	Qms	5.58
Electrical Q Factor	Qes	0.32
Total Q Factor	Qts	0.30
BL Product	BL	26.1 Tm
Effective Moving Mass	Mms	100.6 g
Equivalent Cas Air-Load	Vas	32.9 Liters
Effective Piston Area	Sd	0.0550 Sqm
Half-Space Efficiency	Eff	1.69 %
Airgap Height	Hag	10.0 mm
Voice Coil Height	Hvc	26.0 mm
Voice Coil Overhang	Xmax	8.0 mm



dB SPL

### SPL vs FREQ



### Frequency Response

19/4 Moo 2 T.Bangkratok A.Samparn Nakornpathom 73210 Thailand  
 Tel: +66-2-441-6600 Auto 30 Lines  
 e-mail: info@paudiothailand.com  
 Website: www.paudiothailand.com  
 All rights reserved by P.Audio System Co.,Ltd. 2007

