



FLAGSHIP™ Series FL-18ELF



Applications

FL-18ELF

The P Audio FL-18ELF is an 18 inch diameter (476mm) “extended” low frequency sub driver. This design allows for extended ultra low frequency operation to 30Hz and is ideal for deep bass applications such as high output dance floor designs. The die cast aluminum chassis and high energy Neodymium magnet system also make the FL-18ELF very suited for portable sub woofer applications. The rated operating bandwidth is 30HZ to 100HZ.

The FL-18ELF has a large format 4 inch (101.6mm) voice coil assembly with an extended voice coil design to produce increased maximum linear excursion capability. The edge wound rectangular wire and high temperature adhesive systems produce very high efficiency. The extended low frequency range of the FL-18ELF requires very high linear excursion for clean deep bass reproduction. The large diameter voice coil insures very high power handling and high reliability in critical deep bass applications where substantial input power is required space. Like all P Audio products, advanced finite element analysis and parameter optimization make this design ideally suited for ultra low frequency applications.

Specifications

GENERAL SPECIFICATIONS

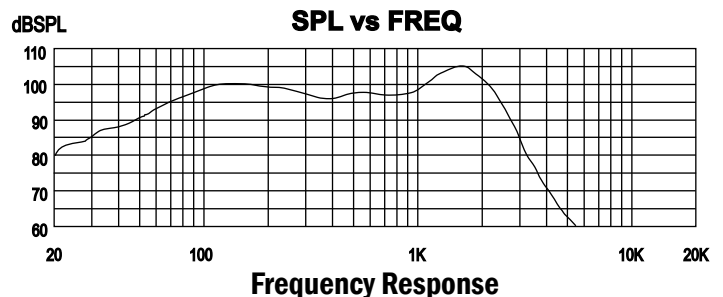
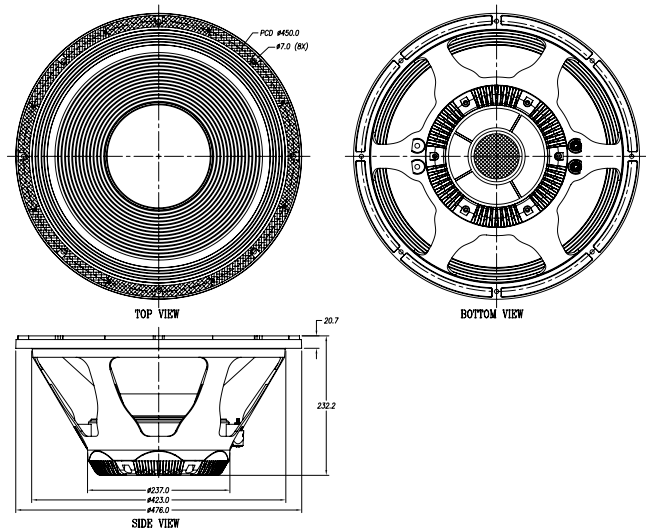
Nominal Impedance	8 Ω
Power	800 Watt (rms)
SPL 1W@1M average sensitivity	98 dB
Frequency Response	30Hz - 100Hz
Dimension Ø x H (cm)	47.6 x 23.2
Net Weight	9.6 kg (21.1 lbs)
Shipping Weight	11.6 kg (25.5 lbs)
Packing Dimension H x W x D (cm)	49.5 x 49.5 x 27.5 (2.4cu.ft) 19.5" x 19.5" x 10.8"

PHYSICAL SPECIFICATIONS

Magnet type	Neodymium
Voice Coil Diameter	101.6 mm (4 inch)

THIELE/SMALL PARAMETERS

Resonance Frequency	Fs	36 Hz
DC. Resistance	Re	6.1 Ω
Coil Inductance	Le	0.76 mH
Mechanical Q Factor	Qms	7.67
Electrical Q Factor	Qes	0.41
Total Q Factor	Qts	0.39
BL Product	BL	25.17 Tm
Effective Moving Mass	Mms	191.17 g
Equivalent Cas Air-Load	Vas	209.80 Liters
Effective Piston Area	Sd	0.12 Sqm
Half-Space Efficiency	Eff	2.25 %
Airgap Height	Hag	10.0 mm
Voice Coil Height	Hvc	26.0 mm
Voice Coil Overhang	Xmax	8.0 mm



19/4 Moo 2 T.Bangkratuk A.Samparn Nakornpathom 73210 Thailand
 Tel: +66-2-441-6600 Auto 30 Lines
 e-mail: info@paudiothailand.com
 Website: www.paudiothailand.com
 All rights reserved by P.Audio System Co.,Ltd. 2007

