



Features

- 2" Voice Coil
- 800 Watts Peak Power Handling
- 94 dB Sensitivity
- FEM Designed Ferrite Magnetics
- Precision Rectangular Ribbon Coil Design
- Triple Aluminium Demodulation Rings

Applications

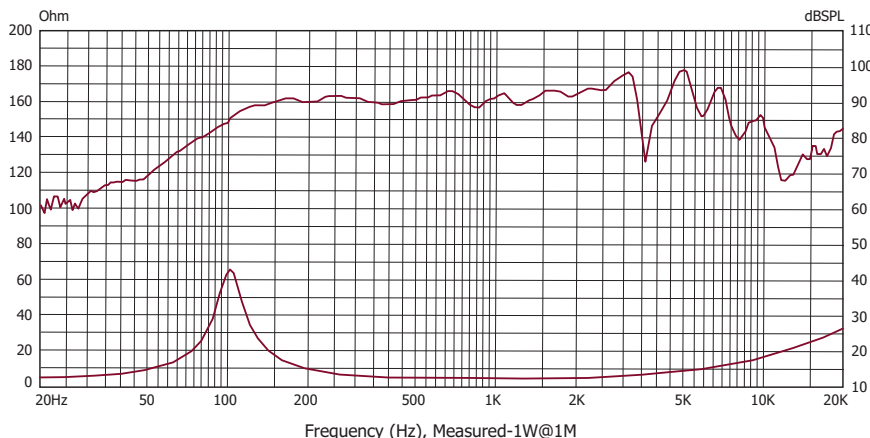
The P. Audio 'Golden Master' GM6-50F is the intersection of advanced design and state of the art manufacturing. The GM6-50F is a 6.5 inch (165mm) mid/low transducer for high performance professional audio. The 2 inch (51.3mm) voice coil is designed for superior reliability and excursion, featuring low weight, high temperature rectangular aluminium wire and extended winding length. The weight-optimized ferrite magnetics maximize the coil's strengths by providing strong magnetic flux across its whole range of movement. This keeps coil motion faithful to the audio signal without distorting. Aluminium 'demodulation' rings negate inductance effects in the motor, further improving the fidelity of coil movement.

The ferrite motor structure cooperates with a carefully optimized venting system on the bottom of the sleek Golden Master chassis to control airflow around the voice coil. This cools the durable design to further levels of reliability without losing sensitivity – the GM6-50F is rated at 800 W peak power handling/ 200 W AES continuous power handling with nominal sensitivity of 94 dB.

Linear and symmetrical stiffness behavior of the suspension compliments linear coil motion. The GM6-50F's spider features roll geometry designed to provide symmetrical displacement, even at high power levels. The cone features a proprietary double-roll cloth surround. The perfect match of material and geometry mean ultra-low distortion of cone movement and ultra-low distortion of sound. Custom cone pulp provides light waterproofing, while low moving mass has been optimized for high performance 6" two-way designs.

The ideal application for the GM6-50F is in very high performance sound reinforcement and large format public address systems. It is ideal for use in a well-tuned vented enclosure in a range of configurations – general purpose sound reinforcement systems, mid/mid-bass applications and floor monitors. The high efficiency rating allows the GM8-50F to be used as the low frequency section of small/medium format line array designs where a subwoofer is also used. Performance is optimized when using a high pass 4th order Butterworth filter tuned near the enclosure vent frequency. The GM6-50F offers a 100-5000Hz useable bandwidth, though the actual crossover frequency will be determined by the driver and horn combination in the user's system.

Frequency response and Impedance curve

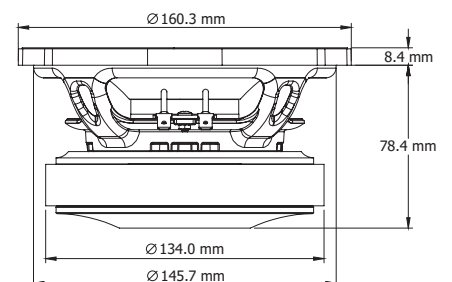
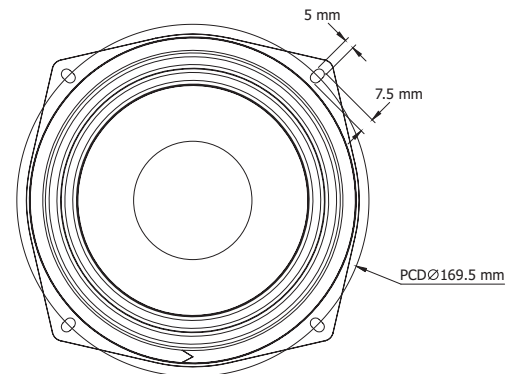


General Specification

Nominal diameter	165 mm / 6.5 in
Peak Power	800 W
AES Power	200 W
Nominal impedance	8 Ohm
Sensitivity (1W/1m)	94 dB
Frequency range	100 - 5000 Hz
Chassis type	Cast Aluminium
Magnet type	Ferrite
Magnet weight	1.17 kg / 41.1 oz
Voice coil diameter	51.3 mm / 2 in
Coil material	Edge Wound Aluminium Wire
Former material	Glass fiber
Cone material	Paper
Surround material	Cloth
Suspension	Single Spider
Xmax	2.6 mm / 0.10 in
Gap depth	6 mm / 0.24 in
Voice coil winding width	11.2 mm / 0.44 in
Unit weight	2.8 kg / 6.2 lb
Shipping weight	3.3 kg / 7.1 lb
Packaging dimension WxDxH	170x170x110 mm 7.1x7.1x4.3 in

Thiele Small Parameters

Fs	101 Hz
Re	5.1 Ohm
Qms	4.57
Qes	0.37
Qts	0.34
Bl	10.61 Tm
Mms	13.09 g / 0.46 oz
Mmd	12.27 g / 0.43 oz
Vas	4.27 lt / 0.15 cu.ft ³
Sd	127 cm ²
Le	0.26 mH
Cms	1.9e - 04 m/N
Rms	1.83 Ns/m



P.AUDIO SYSTEM CO.,LTD.