



Specifications

Throat Diameter	1 inch
Diaphragm Diameter	1 inch (25.4mm)
Nominal Impedance	8 Ohm
Voice Coil DC Resistance	7.4 Ohm
Power Handling	30 Watt
Sound Pressure Level (1W@1M) (Loaded with 90x40 Horn)	110 dB
Mounting Type	Screw On
Magnet	Neodymium
Diaphragm Material	Polyimide Film
Recommended Crossover	2.0kHz or higher (12dB/Oct slope)
Net Weight	0.23kg (0.5 lbs)
Shipping Weight	0.26kg (0.57 lbs)

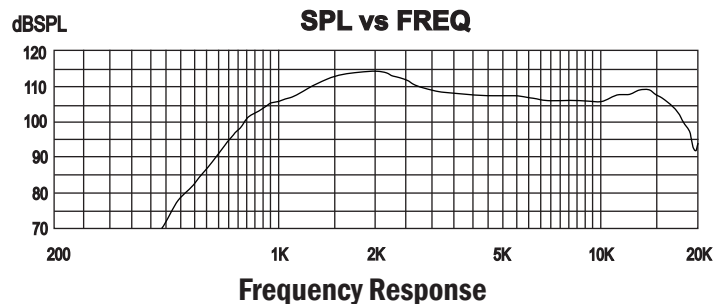
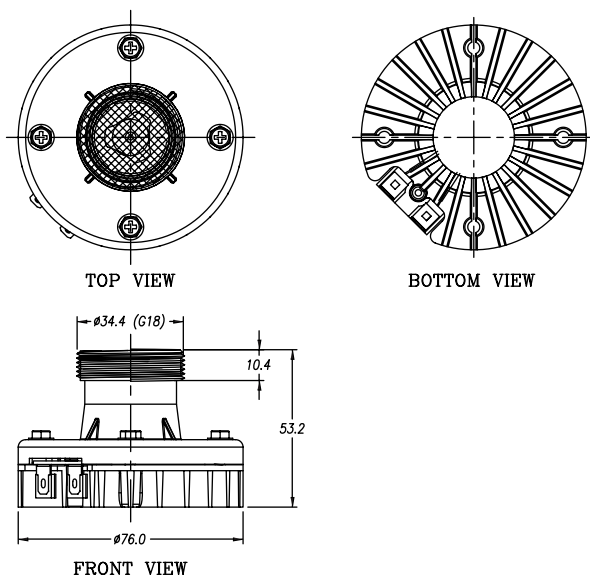
Applications

PA-D26SPN

The P Audio PA-D26SPN is a small format diaphragm compression driver designed for mid range and extended high frequency applications in two way professional sound reinforcement systems. The small format design is excellent for wide bandwidth applications and is ideal for medium sized sound reinforcement systems using 8 inch (203mm) and 10 inch (254mm) woofers. The driver has a rated bandwidth of 2kHz to beyond 20kHz.

The PA-D26SPN is a Neodymium based permanent magnet system that features a 1.0 inch (25.4mm) diameter polyimide diaphragm assembly. The high output neodymium magnetic system features a mid band sensitivity rating of 110dB. This design features P Audio's legendary high temperature systems to insure both high power handling and high reliability.

The PA-D26SPN features an industry standard screw on style exit that allows the driver to easily mate to any high frequency horn with a standard 1.0 inch screw on mounting.



19/4 Moo 2 T.Bangkratuk A. Samparn Nakornpathom 73210 Thailand
 Tel: +66-2-441-6600 Auto 30 Lines
 e-mail: info@paudiothailand.com
 Web site: www.paudiothailand.com
 All rights reserved by P.Audio System Co., Ltd. 2007

