

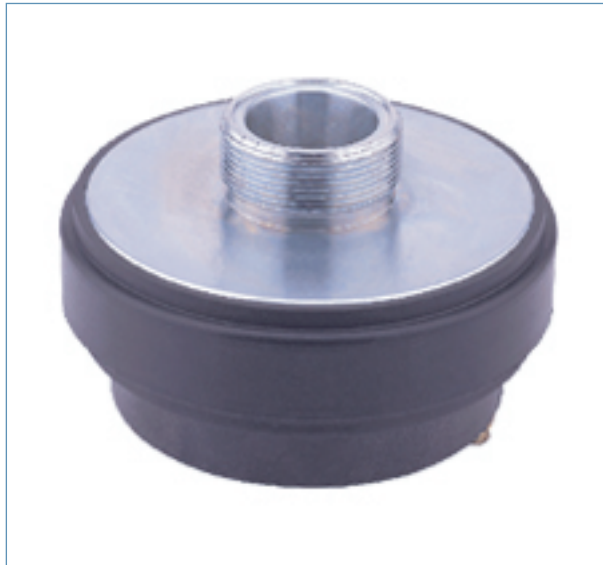
## Applications

### PA-DE34S

The P Audio PA-DE34S is a small format diaphragm compression driver designed for mid range and extended high frequency applications in two way professional sound reinforcement systems. The small format design is excellent for wide bandwidth applications and is ideal for medium sized sound reinforcement systems using 8 inch (203mm) and 10 inch (254mm) woofers. The driver has a rated bandwidth of 1.2kHz to beyond 20kHz. This wide bandwidth makes the PA-DE34 ideal for many mid range applications as well as wide range ultra high frequency applications.

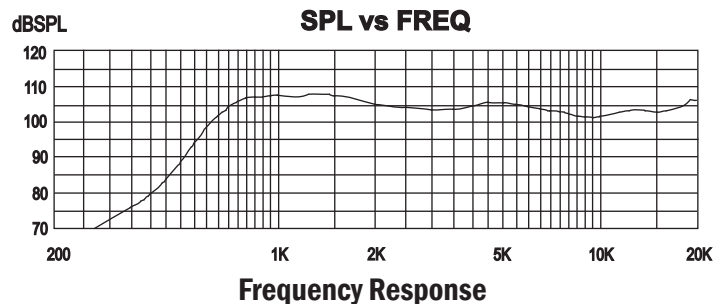
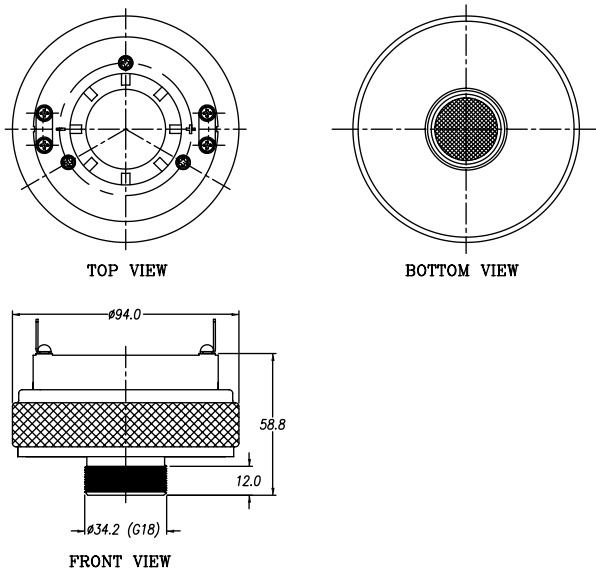
The PA-DE34S is a Ferrite based permanent magnet system that features a 1.35 inch (34.4mm) diameter commercially pure aluminum diaphragm assembly. The driver features a mid band output rating of 105dB with a one watt input measured at one meter. This design features P Audio's legendary high temperature systems to insure both high power handling and high reliability.

The PA-DE34S features an industry standard 1 inch screw on style exit that allows the driver to easily mate to any high frequency horn with a standard 1 inch screw on mounting.



## Specifications

Throat Diameter	1 inch (25.4mm)
Diaphragm Diameter	1.35 inch (34.4mm)
Nominal Impedance	8 Ohm
Voice Coil DC Resistance	7.3 Ohm
Power Handling	30 Watt
Sound Pressure Level (1W@1M) (Loaded with 90x40 Horn)	105 dB
Mounting Type	Screw On
Magnet	Ferrite
Diaphragm Material	Aluminium
Recommended Crossover	1.2kHz or higher (12dB/Oct slope)
Net Weight	1.05kg (2.31 lbs)
Shipping Weight	1.1kg (2.42 lbs)



19/4 Moo 2 T.Bangkratuk A. Samparn Nakornpathom 73210 Thailand  
 Tel: +66-2-441-6600 Auto 30 Lines  
 e-mail: info@paudiothailand.com  
 Web site: www.paudiothailand.com  
 All rights reserved by P.Audio System Co., Ltd. 2007

