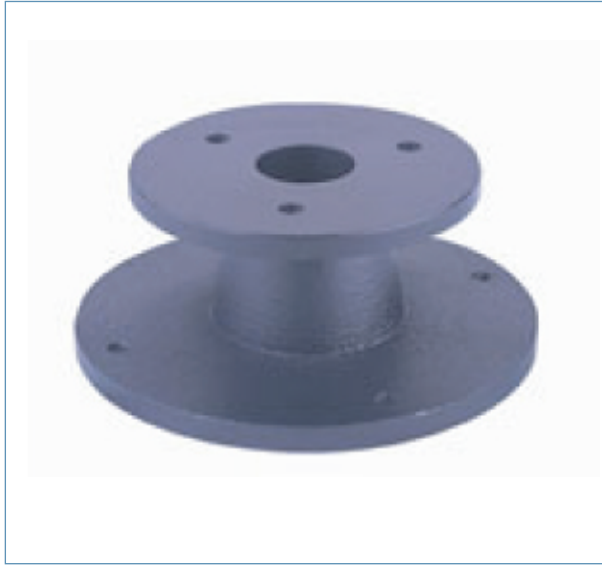




Horn And Driver Adaptors PC-3825



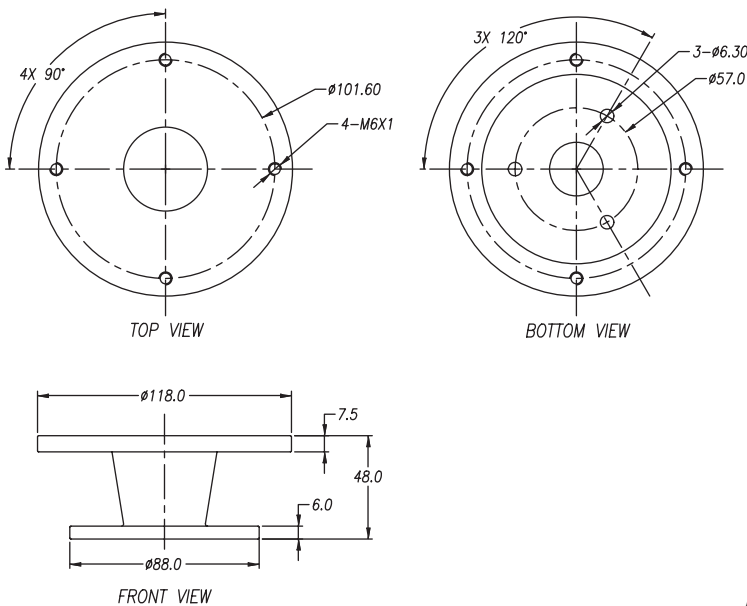
Applications

PC-3825

The PC-3825 is designed to mate standard bolt on style compression drivers with 1 inch (25.4mm) exit diameters to horns that feature standard 1.5 inch (38.1mm) bolt on throat geometries.

Specifications

Overall Dimension	: 118 x 48	mm.
Material	: Aluminium	
Net Weight	: 0.38 kg	(0.83 lbs.)
Shipping Weight	: 0.42 kg	(0.92 lbs.)
Packing Dimension	: 120 x 120 x 75	mm.



19/4 Moo 2 T.Bangkratuk A. Samparn Nakornpathom 73210 Thailand
Tel: +66-2-441-6600 Auto 30 Lines
e-mail: info@paudiothailand.com
Web site: www.paudiothailand.com
All rights reserved by P.Audio System Co., Ltd. 2007

