



Horn And Driver Adaptors

PC-50



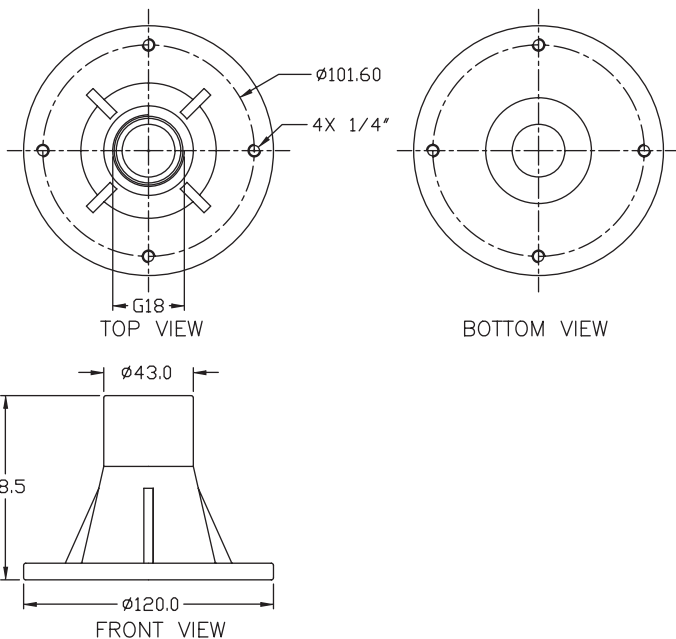
Applications

PC-50

The PC-50 is designed to allow compression drivers with 1 inch (25.4mm) screw on style exit diameters to be used with horns that feature standard 2 inch (50mm) thread on style throats.

Specifications

Overall Dimension	: 120 x 88.5	mm.
Material	: Aluminium	
Net Weight	: 0.40 kg (0.88 lbs.)	
Shipping Weight	: 0.46 kg (1.01 lbs.)	
Packing Dimension	: 130 x 130 x 100	mm.



19/4 Moo 2 T.Bangkratuk A. Samparn Nakornpathom 73210 Thailand
Tel: +66-2-441-6600 Auto 30 Lines
e-mail: info@paudiothailand.com
Web site: www.paudiothailand.com
All rights reserved by P.Audio System Co., Ltd. 2007

