

High Frequency Horn PH-3223

Applications

PH-3223 HIGH FREQUENCY HORN

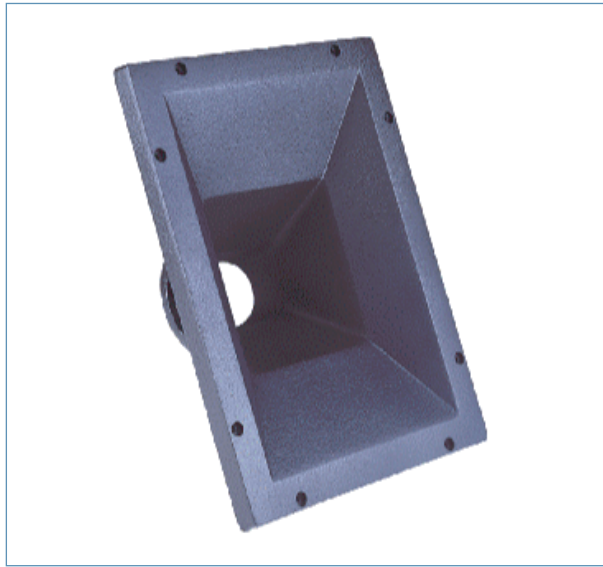
The PH-3223 is a medium format horn that features a 90 degree horizontal by 55 degree vertical radiation pattern. This makes the horn ideal for short throw applications where wide dispersion is specified. The PH-3223 has a large diameter 2 inch (50 mm) throat diameter designed to accommodate several P Audio PreNeo and BMD series professional compression drivers.

The large diameter throat is excellent for mid band reproduction, particularly through the upper vocal range. The large horn mouth dimensions of 12.71 inches (323mm) by 9.21 inches (233mm) provide good pattern control and acoustic loading to below 1000Hz. Large throat diameter horns are well suited for mid band applications.

The PH-3223 is constructed of high impact ABS with additional glass filling for additional structural support and rigidity.

The PH-3223 may be used with the following P.audio professional compression drivers. (or any industry standard compatible driver)

- BM-D750
- PreNeo-750N



Specifications

Nominal Coverage Angle (H° X V°) - 6 dB.	90° x 55°
Cut Off Frequency (Hz.)	500 Hz
Throat Diameter	50 mm. (2")
Mounting Type	BOLT ON
Construction	Injected Polymer A.B.S.with glass fiber filled Black Polycarbonate

MOUNTING DIMENSIONS :

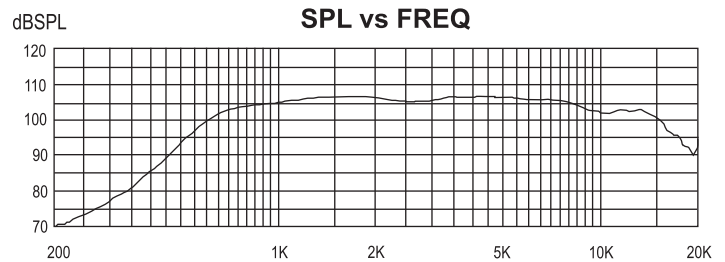
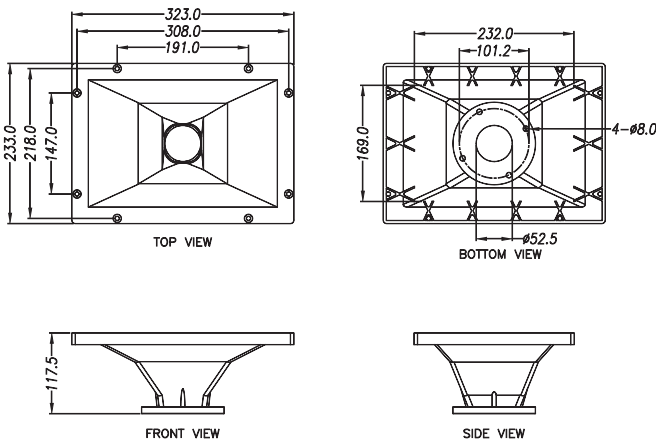
Rear Height :	190mm (7.48")
Rear Width :	265mm (10.43")

OVERALL DIMENSIONS :

Mount Height :	234mm (9.21")
Mount Width :	323mm (12.71")
Length :	117mm (4.60")

BAFFLE CUTOUT DIMENSIONS :

Height :	170mm (6.69")
Width :	235mm (9.25")
Net Weight :	0.8kg (1.76 lbs)
Shipping Weight :	1.3kg (2.86 lbs)
Packing Dimension :	254mm x 350mm x 140mm 9.99" x 13.77" x 5.51"



Response of horn with PreNeo-750N

19/4 Moo 2 T.Bangkratuk A. Samparn Nakornpathom 73210 Thailand
 Tel: +66-2-441-6600 Auto 30 Lines
 e-mail: info@paudiothailand.com
 Web site: www.paudiothailand.com
 All rights reserved by P.Audio System Co., Ltd. 2007

