

Applications

PHT-415

The P Audio PHT-415 is a very wide mid range and extended high frequency integrated horn and driver system. The PHT-415 is ideally suited for two way portable sound reinforcement systems. This integrated horn and driver is used in many professional two way designs, particularly in systems used by DJ's and touring club acts.

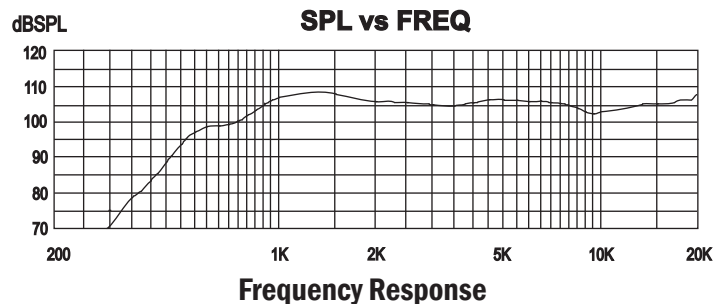
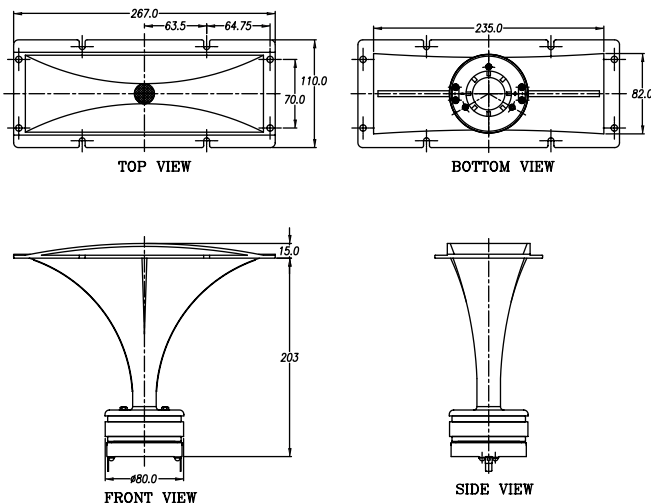
The PHT-415 offers a high sensitivity of 105dB, making the device an excellent choice for systems that use either a 12 inch or 15 inch professional quality woofer as the low frequency transducer. Because the system utilizes a small format 1 inch (25.4mm) diameter diaphragm assembly, the PHT-415 offers superb piston range extension.

The PHT-415 is an injection molded design that offer extended horizontal radiation control due to its large 10.5 inch (267mm) acoustic mouth width. The horn mouth is a radially curved front and insures excellent pattern control. The rated coverage pattern is 100 degree in the horizontal plane and 80 degree in the vertical plane. The vertical plane dispersion is provided by a diffraction style mouth. The horn is constructed using a rugged ABS resin with additional glass filling for increased structural integrity.



Specifications

Diaphragm Diameter	1.0 inch (25.4mm)
Nominal Impedance	8 Ohm
Voice Coil DC Resistance	7.2 Ohm
Power Handling	30 Watt
Sound Pressure Level (1W@1M)	105 dB
Magnet	Ferrite
Diaphragm Material	Titanium
Horn Material	Cast Aluminium
Nominal Coverage Angle (H x V) -6 dB	100° x 80°
Cutoff frequency	1.5 kHz
Baffle cutout dimension	85mm x 240mm 3.34" x 9.44"
Net Weight	1.1kg (2.42 lbs)
Shipping Weight	1.4kg (3.08 lbs)



19/4 Moo 2 T.Bangkratuk A. Samparn Nakornpathom 73210 Thailand
 Tel: +66-2-441-6600 Auto 30 Lines
 e-mail: info@paudiothailand.com
 Web site: www.paudiothailand.com
 All rights reserved by P.Audio System Co., Ltd. 2007

