



High Frequency Horn PH-4220

Applications

PH-4220 HIGH FREQUENCY HORN

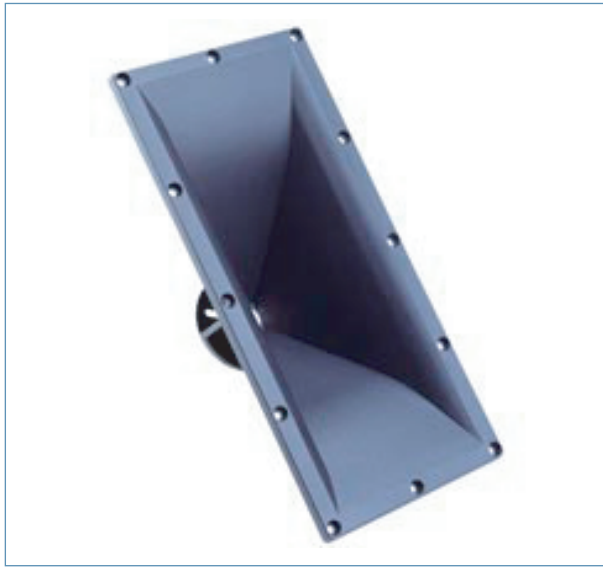
The P Audio PH-4220 is very similar in design to the PH-2370 but features a taller vertical dimension. The increased vertical dimension provides improved vertical pattern control. The PH-4220 is a bolt on throat design with a 1 inch (25.4mm) throat diameter.

The PH-4220 is designed for use with the P Audio PreNeo and BMD series professional compression drivers. Because the PH-4220 uses an industry standard bolt on style mounting method, the horn is compatible with many competitive compression drivers as well.

The construction is a high impact ABS with glass filling added for additional structural support and rigidity. The acoustic loading offers controlled response down to 1200Hz.

The PH-4220 may be used with the following P.audio professional compression drivers. (or any industry standard compatible driver)

- BM-D440
- BM-D450
- PreNeo-450N
- PA-DE34



Specifications

Nominal Coverage Angle (H° X V°) - 6 dB.	90° x 40°
Cut Off Frequency (Hz.)	400 Hz
Throat Diameter	25.4 mm. (1")
Mounting Type	BOLT ON
Construction	Injected Polymer A.B.S. with glass fiber filled Block Polycarbonate.

MOUNTING DIMENSIONS :

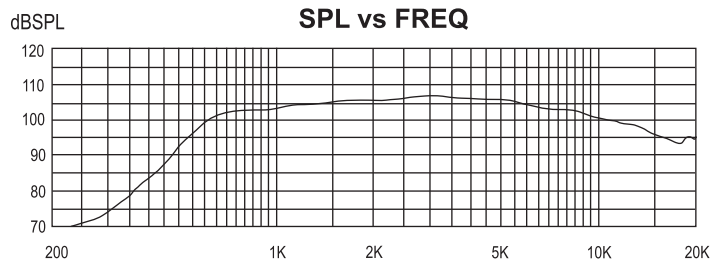
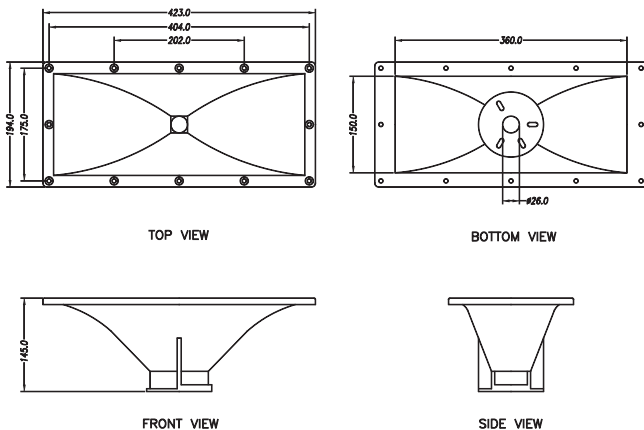
Rear Height :	158mm (6.22")
Rear Width :	390mm (15.35")

OVERALL DIMENSIONS :

Mount Height :	194mm (7.63")
Mount Width :	423mm (16.65")
Length :	145mm (5.70")

BAFFLE CUTOUT DIMENSIONS :

Height :	155mm (6.10")
Width :	370mm (14.56")
Net Weight :	1.05Kg (2.31 lbs)
Shipping Weight :	1.62Kg (3.56 lbs)
Packing Dimension :	210mm x 450mm x 180mm 8.26" x 17.71" x 7.08"



Response of horn with BM-D440

19/4 Moo 2 T.Bangkratuk A. Samparn Nakornpathom 73210 Thailand
 Tel: +66-2-441-6600 Auto 30 Lines
 e-mail: info@paudiothailand.com
 Web site: www.paudiothailand.com
 All rights reserved by P.Audio System Co., Ltd. 2007

