



SC SERIES

SC1-F

High Frequency Ferrite Compression Driver



General Specification

Throat diameter	25.4 mm / 1 in
Peak Power	240 W
AES Power	60 W
Nominal impedance	8 Ohm
Sensitivity (1W/1m)	109 dB
Frequency range	1200 - 20000 Hz
Recommended min.crossover(12dB/oct)	1500 Hz
Magnet type	Ferrite
Diaphragm material	Titanium
Surround material	Mylar
Voice coil diameter	44.4 mm / 1.75 in
Voice coil material	AL-R
Mounting type	Bolt On
Overall diameter	134 mm / 5.3 in
Mounting hole diameter	4xM6 PCD 76.2 mm
Unit weight	2.8 kg / 6.2 lb
Shipping weight (8 pcs)	23 kg / 50.7 lb
Packaging dimension WxDxH	310x310x195 mm 12.2x12.2x7.7 in

Features

- Medium Format Wide Bandwidth Compression Driver
- 1" Exit Diameter
- 240 Watts Peak Power Handling
- Titanium dome, Mylar Surround
- Bolt On Mounting

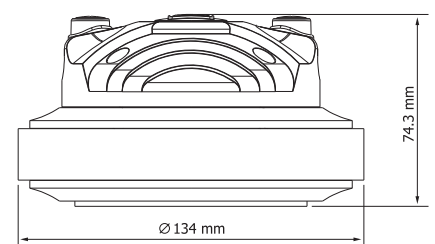
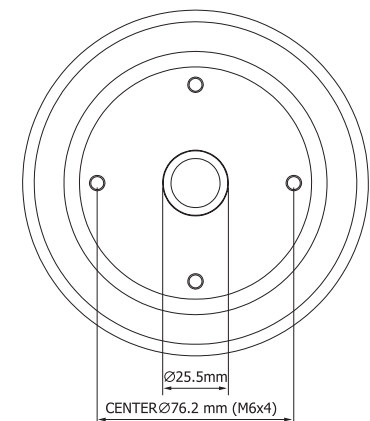
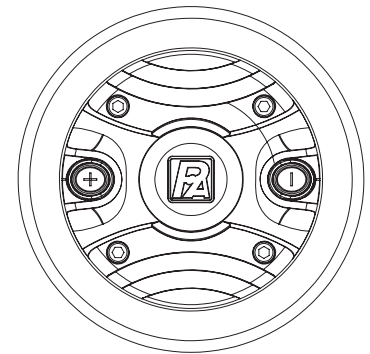
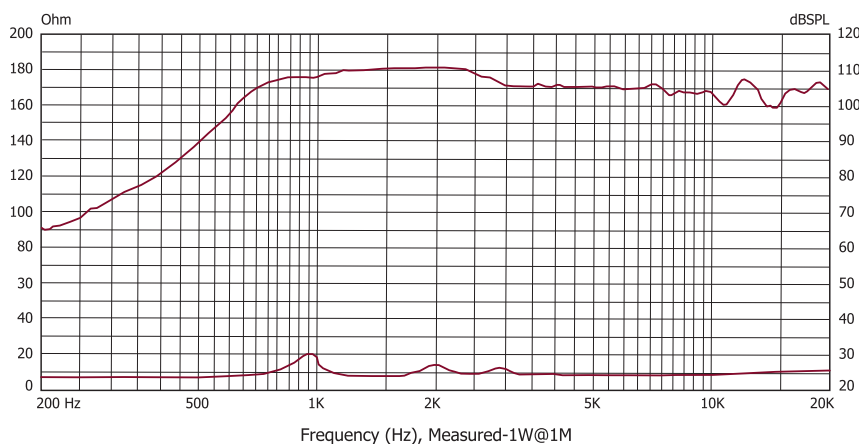
Applications

The P Audio SC1-F is a very high performance medium format compression driver with enhanced time domain response. The SC1-F features an optimized geometry PET suspension coupled to a titanium dome. The diaphragm assembly is a nominal 1.75 inch (44.4mm) diameter. The exit diameter is an industry standard 1 inch (25.4mm) diameter. The driver features a finite element optimized Ferrite magnetic assembly that provides extended high frequency response and bandwidth. The high magnetic energy insures elevated thermal reliability and reduced high frequency power compression as well as extended high frequency content.

The PET suspension material offers both excellent amplitude response characteristics and superior time domain response. The result is substantially improved clarity thru the upper vocal range. The rated bandwidth is 1200Hz to 20kHz. The minimum recommended crossover frequency 1500Hz.

The SC1-F is rated at 240 watts of peak power handling (60 watts continuous) and includes standard bolt on mounting. The SC1-F is compatible with many P Audio high frequency horns as well as commonly available horns. The SC1-F is an excellent high frequency driver for high performance two way and three way sound reinforcement systems.

Frequency Response and Impedance Curve



P.AUDIO SYSTEM CO.,LTD.