



# SC SERIES

# SC2-F1.4

High Frequency Ferrite Compression Driver



### General Specification

Throat diameter	35.5 mm / 1.4 in
Peak Power	400 W
AES Power	100 W
Nominal impedance	8 Ohm
Sensitivity (1W/1m)	106 dB
Frequency range	1000 - 20000 Hz
Recommended min.crossover(12dB/oct)	1000 Hz
Magnet type	Ferrite
Diaphragm material	Titanium
Surround material	Mylar
Voice coil diameter	74.4 mm / 3 in
Voice coil material	CCA-R
Mounting type	Bolt On
Overall diameter	169 mm / 6.7 in
Mounting hole diameter	4xM6 PCD 101.6 mm
Unit weight	4.9 kg / 10.8 lb
Shipping weight (4 pcs)	20 kg / 44.1 lb
Packaging dimension WxDxH	400x400x140 mm 15.7x15.7x5.5 in

### Features

- Large Format Wide Bandwidth Compression Driver
- 1.4" Exit Diameter
- 400 Watts Peak Power Handling
- Titanium dome, Mylar Surround
- Bolt On Mounting

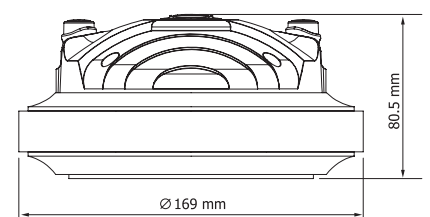
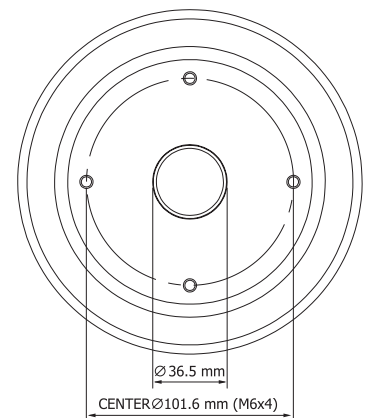
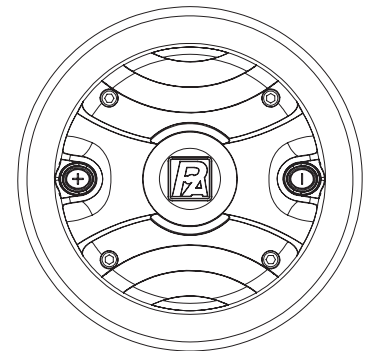
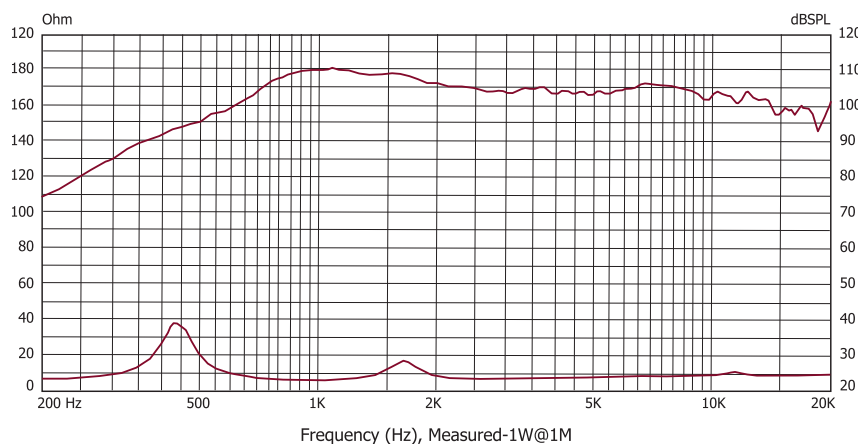
### Applications

The P Audio SC2-F1.4 is a very high performance large format compression driver with enhanced time domain response. The SC2-F1.4 features an optimized geometry PET suspension coupled to a titanium dome. The diaphragm assembly is a nominal 3 inch (76.2mm) diameter. The exit diameter is an industry standard 1.4 inch (35.56mm) diameter. The driver features a finite element optimized Ferrite magnetic assembly that provides extended high frequency response and bandwidth. The high magnetic energy insures elevated thermal reliability and reduced high frequency power compression as well as extended high frequency content.

The PET suspension material offers both excellent amplitude response characteristics and superior time domain response. The result is substantially improved clarity thru the upper vocal range. The rated bandwidth is 1000Hz to 20kHz. The minimum recommended crossover frequency 1000Hz.

The SC2-F1.4 is rated at 400 watts of peak power handling (100 watts continuous) and includes standard bolt on mounting. The SC2-F1.4 is compatible with many P Audio high frequency horns as well as commonly available horns. The SC2-F1.4 is an excellent high frequency driver for high performance two way and three way sound reinforcement systems. The SC2-F1.4 is an excellent match for the P Audio SC horns that feature a 1.4 inch throat diameter.

### Frequency Response and Impedance Curve



P.AUDIO SYSTEM CO.,LTD.