

**Ferrite Magnet Compression Driver**



**Specifications**

**General Specifications**

Power rating.....	50 W(AES)
Nominal impedance.....	8Ω
Sensitivity.....	100 dB
Frequency range.....	1800-20000 Hz
Recommended min. crossover (12dB/oct).....	2000 Hz
Voice coil diameter.....	25.4mm/1.0 in
Voice coil material.....	CCA-W
Magnet type.....	Ferrite
Diaphragm and surround material .....	PEI
Net Weight.....	0.6 kg/1.3 lb
Packing Dimension WxDxH(mm)...	310mm x395mm x185mm
Shipping Weight (20 Pcs).....	12.0 kg/26.5 lb

**Features**

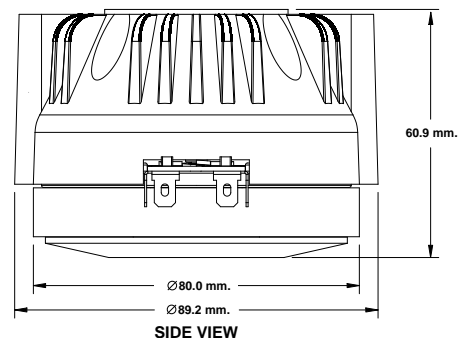
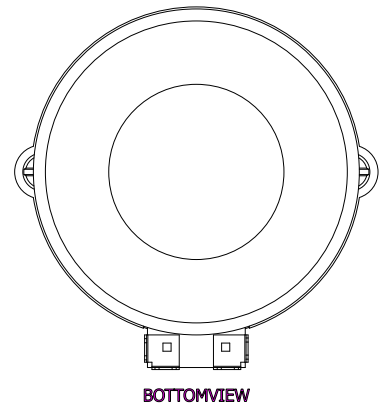
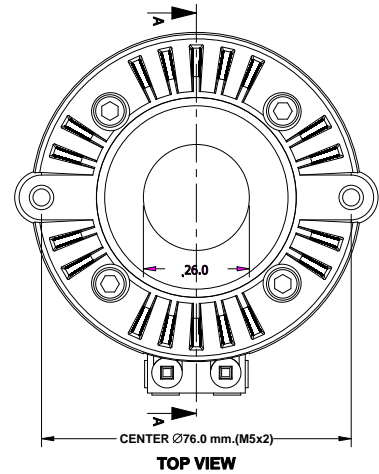
- Small Format Wide Bandwidth Compression Driver
- 1" Exit Diameter
- 200 Watts Peak Power Handling
- PEI Based 1" Diaphragm Diameter
- Bolt On Mounting
- Ferrite Magnetics

**Applications**

The P Audio SD-26BF is a small format compression driver that utilizes a precision formed diaphragm assembly. The diaphragm assembly is close spaced to a precision phase plug to insure excellent acoustic loading. The SD-26BF has an operating range of 1800Hz to 20000Hz and is ideally suited for two way and three way high frequency applications in professional sound reinforcement systems.

The SD-26BF is a ferrite based magnetic system with an industry standard 1 inch (25.4mm) exit diameter. The mounting configuration is a standard "bolt on" style. P Audio offers a wide variety high frequency horns that will provide excellent pattern control and acoustic loading for the SD-26BF.

The diaphragm assembly is a 1 inch (25.4mm) diameter Polyetherimide (PEI) design and utilizes P Audio's very high temperature adhesive systems and precision manufacturing to insure high power handling and reliability. The construction yields a full 50 watts of power handling capacity.



**Frequency Response and Impedance Curves**

