

**Ferrite Magnet Compression Driver**



**Specifications**

**General Specifications**

Power rating.....	80 W(AES)
Nominal impedance.....	8Ω
Sensitivity.....	108 dB
Frequency range.....	1000-20000 Hz
Recommended min. crossover (12dB/oct).....	1500 Hz
Voice coil diameter.....	63.7mm/2.5 in
Voice coil material.....	AL-R
Magnet type.....	Ferrite
Diaphragm and surround material .....	Titanium
Net Weight.....	2.0 kg/4.4 lb
Packing Dimension WxDxH.....	395mm x310mm x185mm
Shipping Weight (10 Pcs).....	21.0 kg/46.3 lb

**Features**

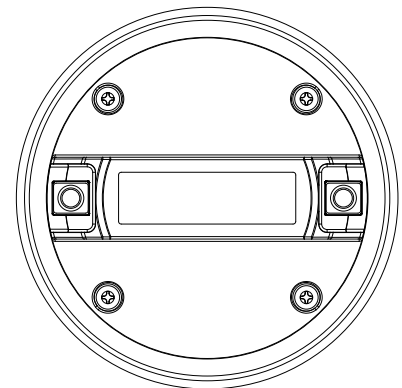
- Medium Format Wide Bandwidth Compression Driver
- 1.4" Exit Diameter
- 320 Watts Peak Power Handling
- Pure Titanium Based 2.5" Diaphragm Diameter
- Bolt On Mounting
- Ferrite Magnetics

**Applications**

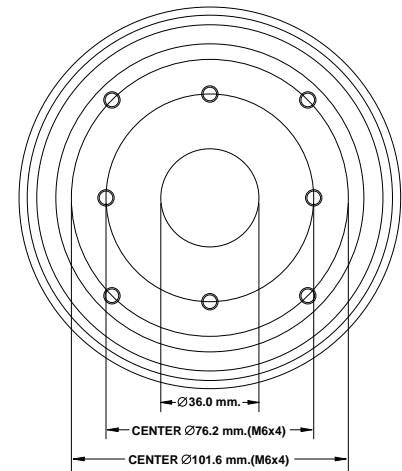
The P Audio SD-63BF-1.4 is a ultra medium format compression driver that utilizes a precision formed diaphragm assembly. The titanium diaphragm is precision formed to insure excellent consistency and performance. The diaphragm assembly is close spaced to a precision phase plug to insure excellent acoustic loading. The SD-63BF-1.4 has an operating range of 1000Hz to 20kHz and is ideally suited for two way and three way high frequency applications in professional sound reinforcement systems.

The SD-63BF-1.4 is a ferrite based magnetic system with an industry standard 1.4 inch (35.5mm) exit diameter. The mounting configuration is a standard "bolt on" style. P Audio offers a wide variety high frequency horns that will provide excellent pattern control and acoustic loading for the SD-63BF. The ferrite magnet design has been extremely weight optimized to provide a very high output to weight ratio.

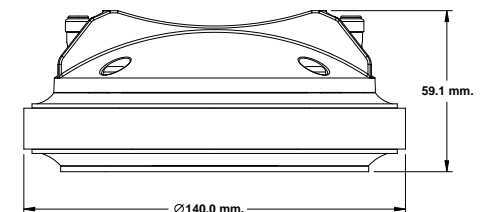
The diaphragm assembly is a 2.5 inch (63.7mm) diameter commercially pure titanium design and utilizes P Audio's very high temperature adhesive systems and precision manufacturing to insure high power handling and reliability. The construction yields a full 80 watts of power handling capacity. The larger diaphragm diameter (2.5 inch) provides superior mid band response and is an excellent choice for medium power professional sound reinforcement systems.



TOP VIEW



BOTTOM VIEW



FRONT VIEW

**Frequency Response and Impedance Curves**

