

**Ferrite Magnet Die-cast Chassis Driver**



**Features**

- 1.2" Voice Coil
- 800 Watts Peak Power Handling
- Ferrite Magnetics
- Precision Rectangular Ribbon Wire Geometry
- Die Cast Aluminum Chassis

**Applications**

The P Audio SN-6A is a new generation high reliability/high output 6.5 inch (165mm) low frequency/full range transducer. The design features a die cast aluminum chassis and large format ferrite magnetic assembly. The SN-6A features a full 800 watts peak power handling and an AES rated 200 watt specification to insure superior output and reliability in demanding professional applications. The SN-6A is an ideal choice for use as a low frequency driver in high performance two way designs or as a very low distortion midband device in three way system designs or line arrays.

The SN-6A features a Carbon fiber composite cone coupled to a high displacement half roll suspension geometry. This cone and suspension design insures excellent maximum linear excursion (Xmax). The SN-6A utilizes a large diameter voice coil design that insures both high power handling and minimized power compression. Rated sensitivity of 89dB at 1 watt/1 meter, coupled with superior power handling provides a best in class combination of efficiency and bandwidth.

The SN-6A can be used in two way designs for use in small sound reinforcement products, in permanent install applications or in background/foreground music systems. The design is also well suited for 3 way sound reinforcement system designs where the SN-6A functions as a mid bass or mid range device. The SN-6A features P Audio's legendary voice coil thermal reliability and durability.

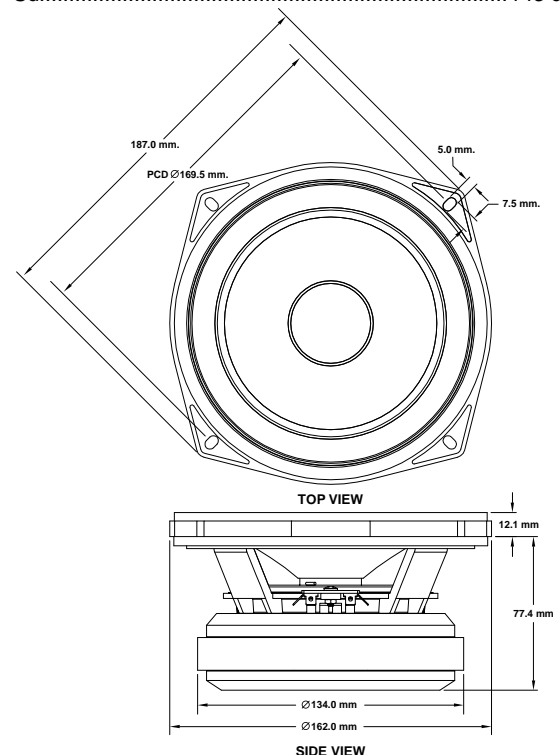
**Specifications**

**General Specifications**

Nominal diameter.....	165 mm/6.5 in
Power rating.....	200 W(AES)
Nominal impedance.....	8Ω
Sensitivity.....	89 dB
Frequency range.....	70-8000 Hz
Chassis type.....	Cast aluminum
Magnet type.....	Ferrite
Magnet weight.....	1.0 kg/33.6 oz
Voice coil diameter.....	30.5 mm/1.2 in
Coil material.....	SV-R
Former material.....	KSV
Cone material.....	Carbon fiber
Surround material.....	Rubber
Suspension.....	Single
X-max (one way).....	7.5 mm/0.30 in
Gap depth.....	4x2 mm/0.2x2 in
Voice coil winding width.....	8.2 mm/0.32 in
Net Weight.....	2.8 kg/6.2 lb
Packing Dimension WxDxH.....	180 x 180 x 110 mm
Shipping Weight.....	3.0 kg/6.6 lb

**Small Signal Parameters**

Re.....	5.2Ω
Fs.....	78 Hz
Mms.....	11.80 g/0.42 oz
Mmd.....	10.82 g/0.38 oz
Qms.....	3.59
Qes.....	0.91
Qts.....	0.72
Vas.....	10.08 lt/0.36 ft <sup>3</sup>
Bl.....	5.77 Tm
Cms.....	3.5e-04 m/N
Rms.....	1.62 Ns/m
Le (at 1kHz).....	0.25 mH
Sd.....	143 cm <sup>2</sup>



**Frequency Response and Impedance Curves**

