

Neodymium Magnet Compression Driver



Specifications

General Specifications

Power rating.....	20 W(AES)
Nominal impedance.....	8Ω
Sensitivity.....	104 dB
Frequency range.....	2000-20000 Hz
Recommended min. crossover (12dB/oct).....	2500 Hz
Voice coil diameter.....	34.2mm/1.35 in
Voice coil material.....	AL-R
Magnet type.....	Neodymium
Diaphragm and surround material	Titanium
Net Weight.....	0.85 kg/1.85 lb
Packing Dimension WxDxH(mm)...	230mm x230mm x200mm
Shipping Weight (12 Pcs).....	8.18 kg/18.0 lb

Features

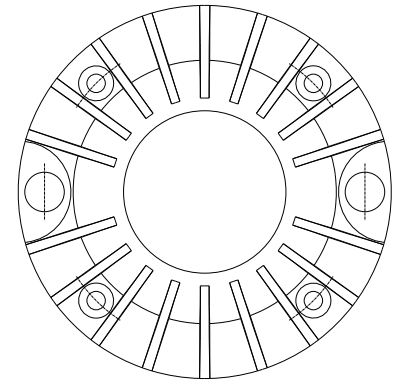
- Small Format Wide Bandwidth Compression Driver
- 1" Exit Diameter
- 80 Watts Peak Power Handling
- Pure Titanium Based 1.35" Diaphragm Diameter
- Bolt On Mounting
- Neodymium Magnetics

Applications

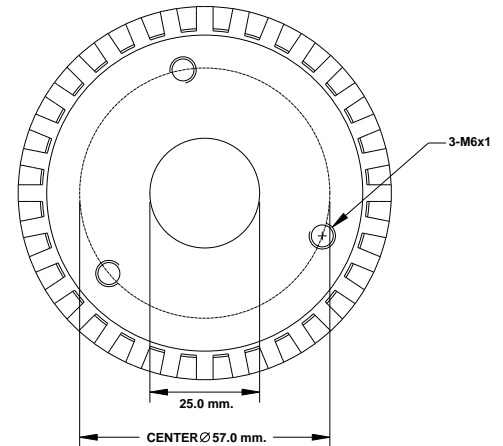
The P Audio WN-D34 is a small to medium format (transitional) compression driver that utilizes a precision formed diaphragm assembly. The diaphragm assembly is close spaced to a close spaced phase plug to insure excellent acoustic loading. The WN-D34 has an operating range of 2000Hz to 20kHz and is ideally suited for two way and three way high frequency applications in professional sound reinforcement systems. The large format diaphragm provides excellent acoustic output capacity and very low distortion.

The WN-D34 is a neodymium based magnetic system with an industry standard 1.0 inch (25.4mm) exit diameter. The voice coil is precision rectangular wire geometry. The mounting configuration is a standard "bolt on" style. P Audio offers a wide variety high frequency horns that will provide excellent pattern control and acoustic loading for the WN-D34.

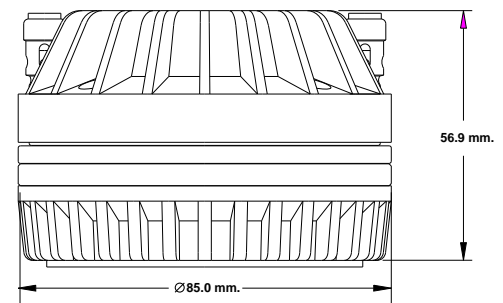
The diaphragm assembly is a 1.35 inch (34.2mm) diameter treated titanium design and utilizes P Audio's very high temperature adhesive systems and precision manufacturing to insure high power handling and reliability. The construction yields a full 20 watts of power handling capacity when the crossover frequency is 2500Hz. The WN-D34 is capable of a full 40 watts of power handling capacity when a crossover frequency of greater then 3800Hz is used.



TOP VIEW



BOTTOM VIEW



SIDE VIEW

Frequency Response and Impedance Curves

